

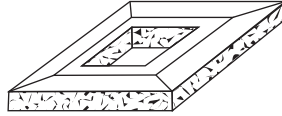
Precast Products

Reinforced Patio Slabs



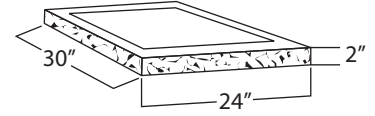
12" x 24" x 2"
 12" x 30" x 2"
 24" x 24" x 2"
 24" x 30" x 2"

Chimney Caps

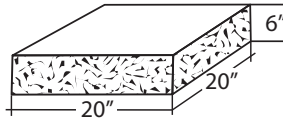


8" x 8"
 8" x 12"
 12" x 12"

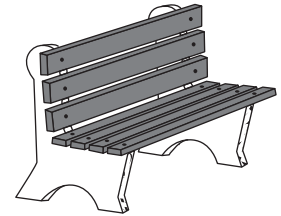
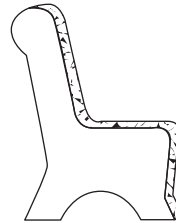
Oil Tank Pad



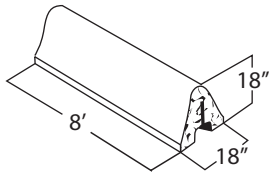
Footing Pads



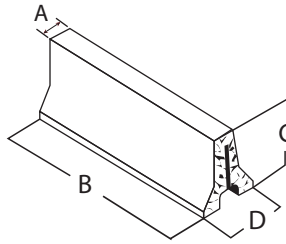
Park Bench End



Bumper Curb

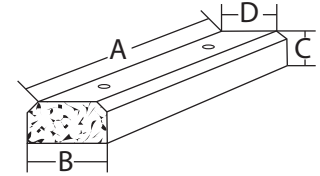


Jersey Barrier



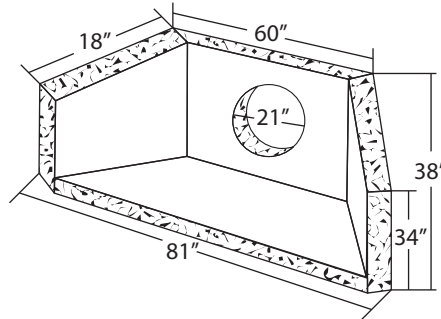
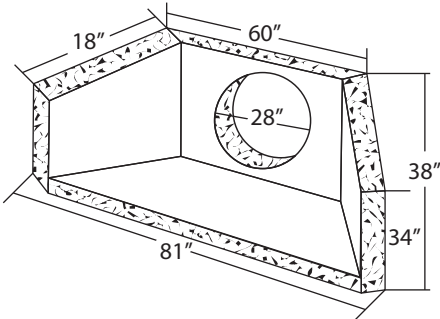
	A	B	C	D
DOT -1	12"	8"	2" - 8"	2" - 6"
DOT -2	6"	8"	2" - 8"	2"

Bumper Curbs



	A	B	C	D
3" curb	3"	9"	4 3/4"	4 3/4"
7" curb	7"	9"	4 3/4"	4 3/4"

Culvert Ends



Casey Concrete Ltd.

Manufacturers of Concrete Block