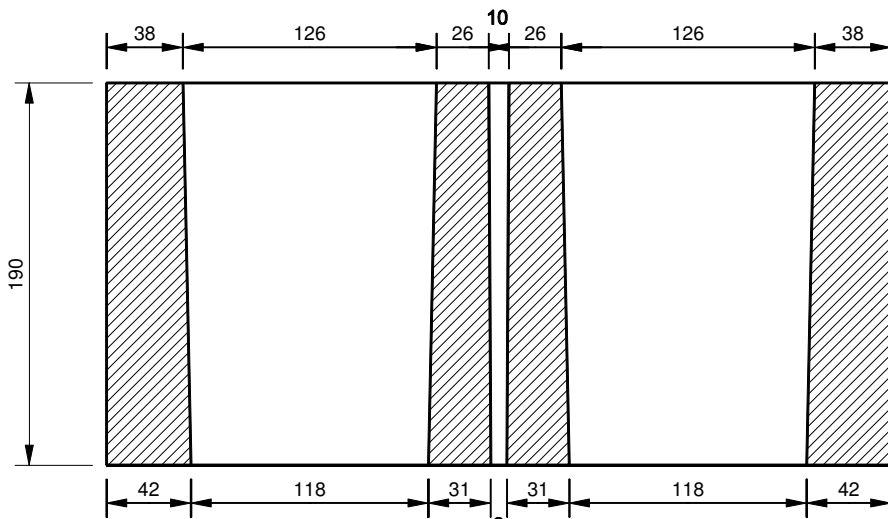
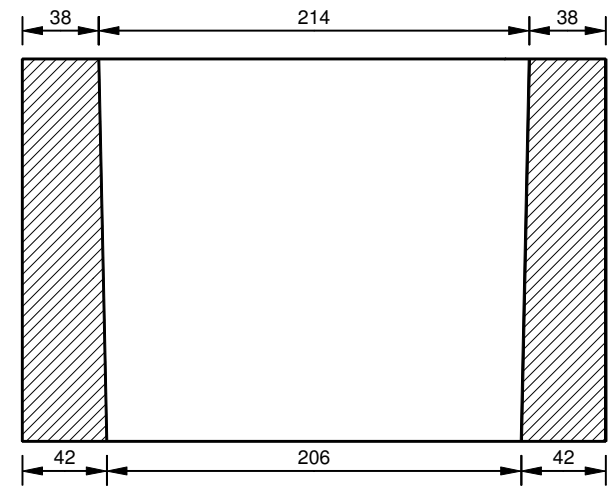
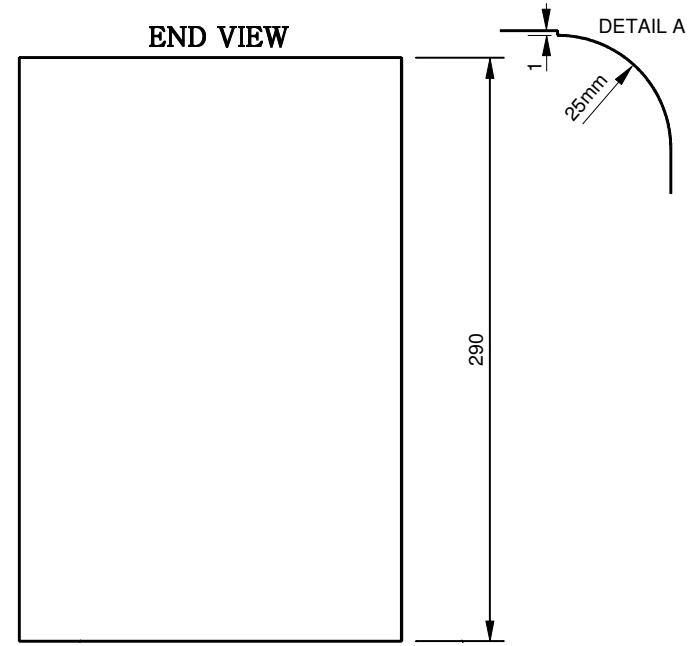


TOP VIEW



FRONT X-SECTION

END VIEW



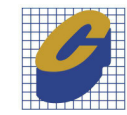
**PACKAGING:**  
 Pieces Per Pallet: 50  
 Weight Per Piece: 26.82 kg (59 lbs)  
 Weight Per Pallet: 1341 kg (2950 lbs)  
 Coverage Per Piece: 0.8 sq.ft (40 sq.ft per pallet)

**DIMENSIONAL TOLERANCES:**  
 Meets the requirements of CSA A165.1 Concrete Masonry  
 LENGTH: -0.12 to +0.12 in (-3 to +3 mm)  
 WIDTH: -0.08 to +0.08 in (-2 to +2 mm)  
 HEIGHT: -0.12 to +0.08 in (-3 to +2 mm)

**PHYSICAL PROPERTIES:**  
 Meets the requirements of CSA A165.1 Concrete Masonry  
 COMPRESSIVE STRENGTH: Min 15MPa @ 28 Days  
 ABSORPTION (%) 8.0% Maximum @ 28 Days

NAME: 12" - 290x190x390 DOUBLE FACE BULLNOSE

PRODUCER:



**Casey Concrete Ltd.**