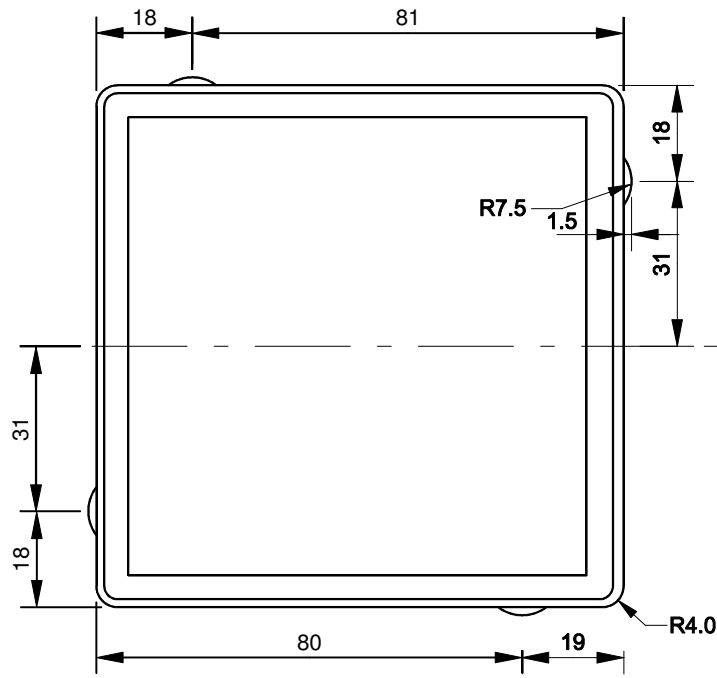
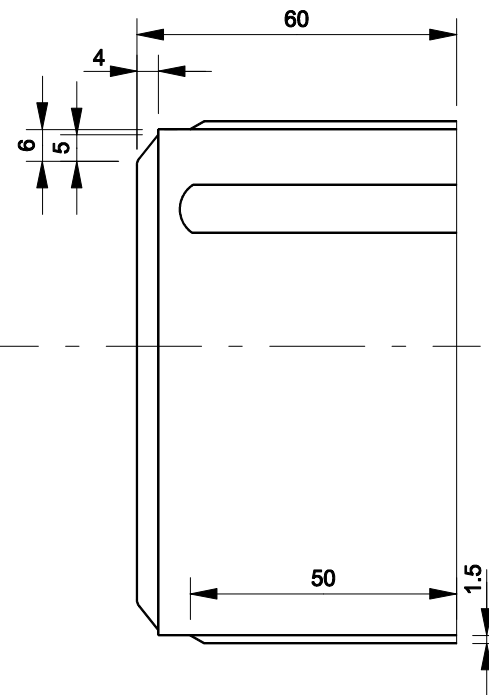


**98mm x 98mm PAVER
(4" x 4" PAVER)**



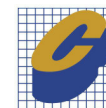
TOP VIEW



SIDE VIEW

98mm x 98mm x 60mm PAVER

PRODUCER:



Casey Concrete Ltd.

PACKAGING:

Pieces Per Pallet (mixed): 200 - 8x8", 400 - 4x4"
 Weight Per Piece 4x4": 1.32 kg (2.9 lbs)
 Weight Per Pallet: 1579 kg (3480 lbs)
 Coverage Per Piece: 0.1 sq.ft

DIMENSIONAL TOLERANCES:

Meets the requirements of CSA A165.1
LENGTH: -0.04 to +0.08 in (-1 to +2 mm)
WIDTH: -0.04 to +0.08 in (-1 to +2 mm)
HEIGHT: -0.118 to +0.118 in (-3 to +3 mm)

PHYSICAL PROPERTIES:

Meets the requirements of CSA A165.1
COMPRESSIVE STRENGTH: Min 50MPa @ 28 Days
ABSORPTION (%): 5.5% Maximum @ 28 Days
FREEZE THAW: Not exceed 1% weight loss