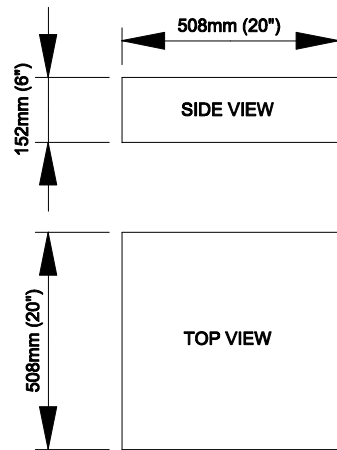
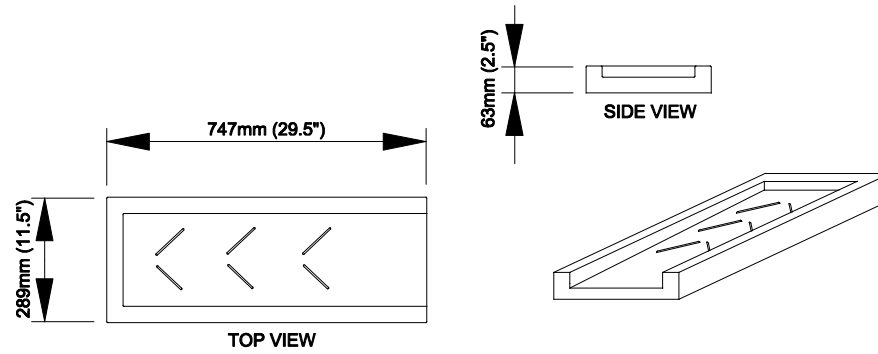


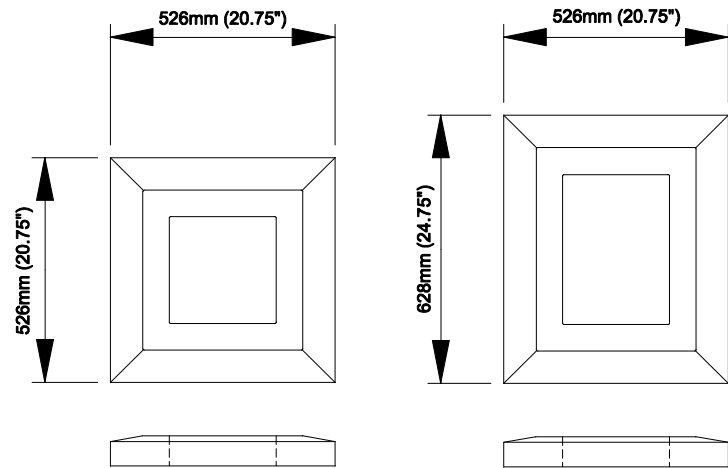
**18"x18"
BEARING PAD
30KG (66LBS)**



**20"x20"
BEARING PAD
95KG (208LBS)**



**SLASH PAD
APPROXIMATELY = 26KG (58LBS)**



**8"x8" CHIMNEY CAP
(FOR USE ON 8"x8" CHIMNEY OPENING)**

**8"x12" CHIMNEY CAP
(FOR USE ON 8"x12" CHIMNEY OPENING)**

PHYSICAL PROPERTIES:

CONCRETE MEETS REQUIREMENTS OF CSA A23.1
 COMPRESSIVE STRENGTH: Min 30MPa @ 28 Days
 CONCRETE CONTAINS 5-8% ENTRAINED AIR

NAME:

PRECAST CONCRETE PADS AND CAPS

PRODUCER:



Casey Concrete Ltd.