

## Septic Tanks and Pump Chambers

Concrete Septic Tanks and Pump Chambers are the preferred product for most of today's certified installers. Concrete tanks are the most durable option available and have the longest track record of any competing product. With today's concrete technology and quality control, throughout production, Casey Concrete septic tanks are the best option for your septic system.

### The concrete used to manufacture Septic Tanks and Pump Chambers:

- Meets the requirements of CSA A23.1.
- Compressive Strength: Minimum 32MPa in 28 days
- Contains 5-8% Entrained Air (for durability)

## Septic Tanks

### 625 gal (2841 litre)

- Concrete inlet and outlet baffles

### 880 gal (4000 litre)

- 1/3 – 2/3 Concrete Baffle
- TY inlet pipe included

### 1022 gal (4646 litre)

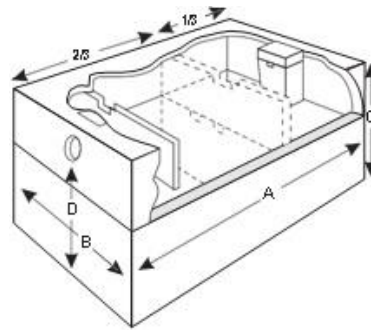
- Concrete inlet and outlet baffles
- \* Tanks with 1/3 – 2/3 Baffle

### 1025 gal (4660 litre) - Low Profile

- 1/3 – 2/3 Concrete Baffle
- TY inlet pipe included

### 2047 gal (9306 litre)

- 1/3 – 2/3 Concrete Baffle
- TY inlet pipe included

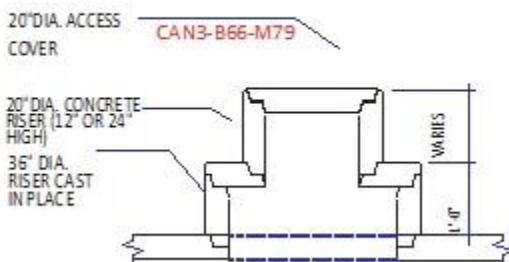


Tank Sizes	A	B	C	D
625 gal	91"	49"	68"	58"
*811	102"	57"	68"	59"
1022	102"	57"	80"	71"
*1025 LP	101"	89"	58"	45"
*2047	101"	89"	94"	81"

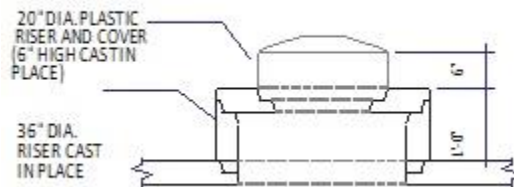
\* 1/3 - 2/3 Baffle

## Septic Tank Riser Options

### OPTION "A"



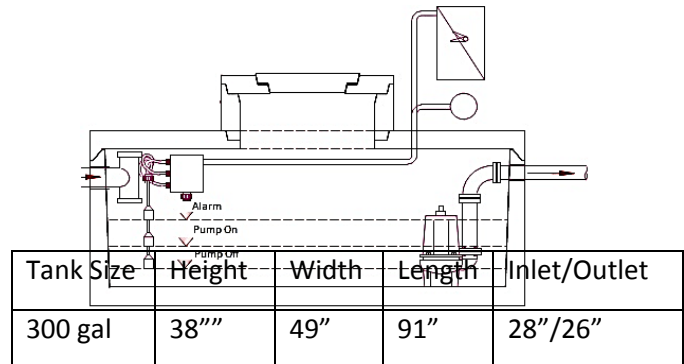
### OPTION "B"



## Pump Chamber

### 300 gal (1364 litre) Low Profile

- One piece construction
- 1" Liquid Depth – 12.7 gal



## Accessories

### PL-122 Effluent Filter

- Required in most regions on outlet of septic tank



### ConSeal

Used to seal concrete tanks, chambers and Pipe

CS-101 Butyl Rubber Sealant:

For self-sealing joints in: Concrete Vaults, Septic Tanks, Box Culverts, Utility Vaults, Burial Vaults, and Vertical Panel Structures. Not intended for use in expansion joints or joints that move.

CS-665 Non-Toxic, Butyl Rubber Sealant:

For self-sealing joints in: Drinking Water Cisterns and Potable Water Systems. Not intended for use in expansion joints or joints that move.

### Plastic Cement

PAQCO P25:

P-25 Plastic Cement is excellent to fill cracks and holes on foundations or sealing concrete tanks and chambers. It seals leaks and maintains watertightness. It is ideal on wet or dry surfaces. Once dried, it becomes a strong, waterproofed flexible coating and resists against bad weather.